



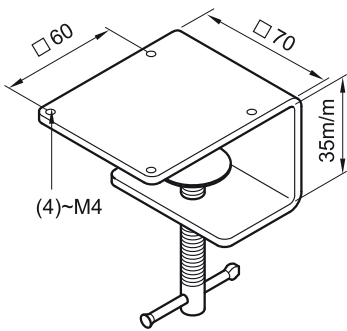
TASK 60 SERIES

EDL Lighting Ltd

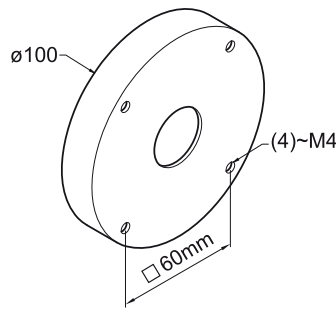
Features

- T60-110/240F incorporates a 110/240V AC LED driver in the base and is fitted with 1.8 metre cable.
- T60-24F incorporates a 24V AC/DC LED driver in the base and is fitted with 1.8 metre cable.
- Powerful 3 x 1W LED module with 30° lens.
- IP65 rated for ingress protection against water, lubricants, coolants, dust and other liquids.
- Double layer shade design permits faster heat dissipation.
- 500mm flexible arm provides greater versatility.

Optional Accessories

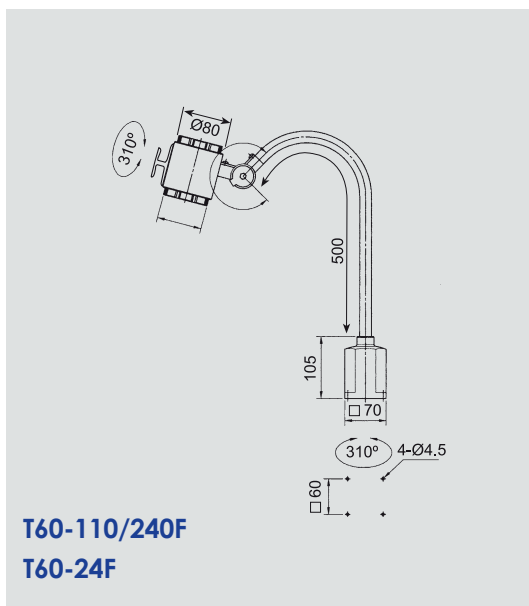


T50/60-C02
Mounting Clamp



T60-M02
Magnetic Base

Dimension Drawing



TASK 60

- T60-110/240F
- T60-24F

