



TASK 50 SERIES

110-240V

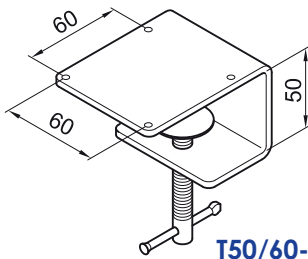
EDL Lighting Ltd

Features

- 110-240V AC LED driver is built into the base.
- Powerful 6 x 2W LED module with 60° lens.
- Reinforced lens provides impact resistance.
- IP65 rated for ingress protection against water, lubricants, coolants, dust and other liquids.
- Fitted with 1.8 metre cable.
- Long service life up to approx. 40,000 lighting hours.
- Suitable for temperature range -30° to +60°.
- Free of infrared ray and ultraviolet ray radiation.
- Applicable for semiconductor manufacturing equipment and clean rooms.



Optional Accessory

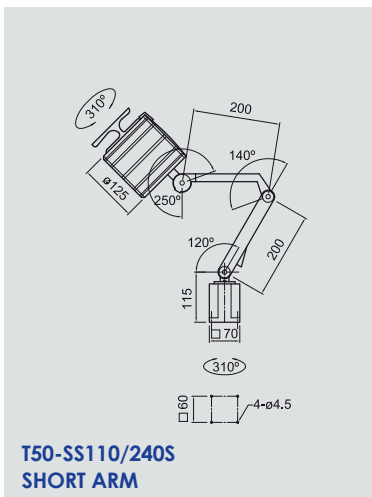


T50/60-C02
Mounting clamp

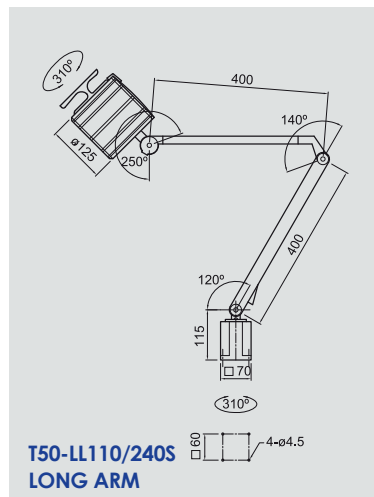
T50-SS110/240S
Short arm

T50-LL110/240S
Long arm

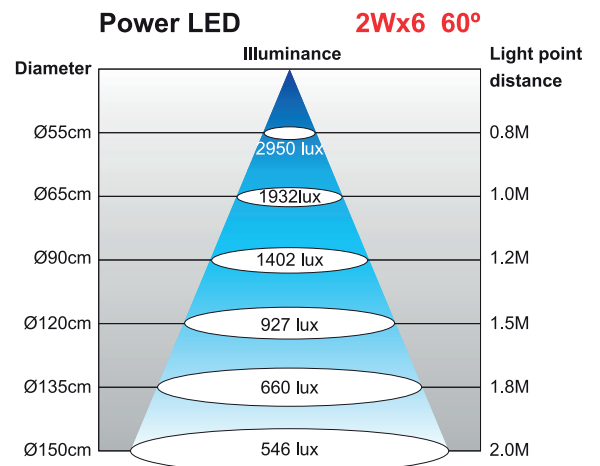
Dimension Drawings



T50-SS110/240S
SHORT ARM



T50-LL110/240S
LONG ARM



EDL Lighting Limited, Redbrook Lane, Brereton, Rugeley, Staffs. WS15 1QU, United Kingdom

Telephone: +44 (0)1889 582112 Fax: +44 (0)1889 584012
Email: sales@edl-lighting.co.uk Website: www.edl-lighting.co.uk